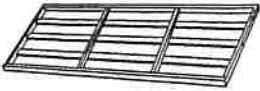
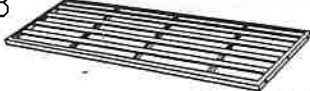



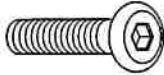

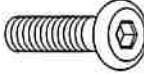


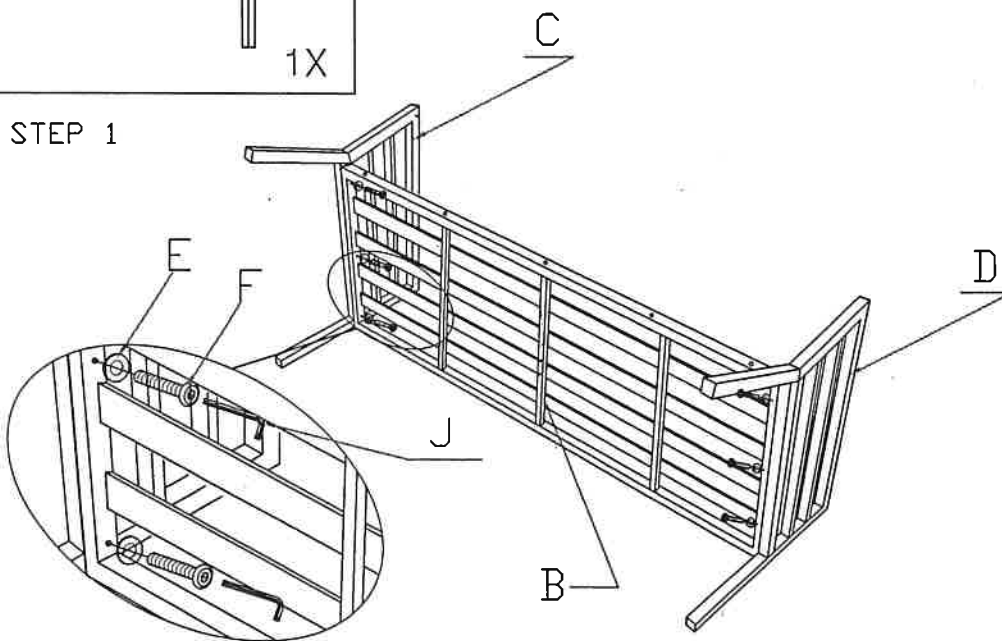


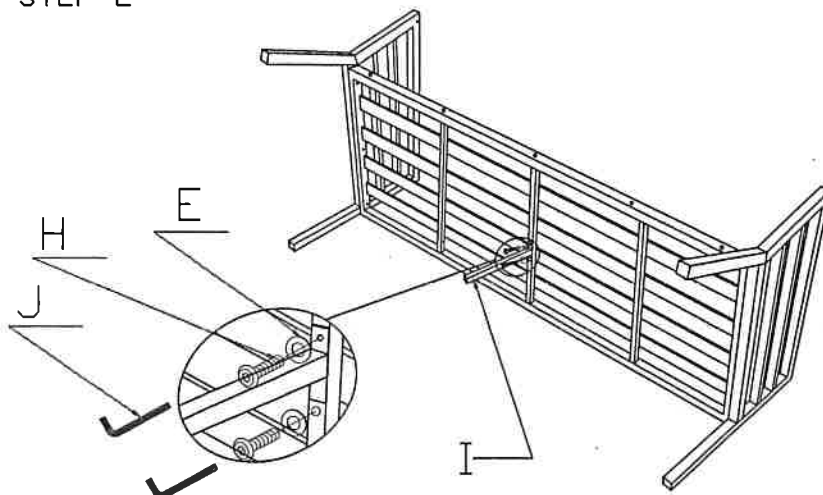
# 3SEATER SOFA

<p>A</p>  <p>1X</p>	<p>B</p>  <p>1X</p>	<p>C</p>  <p>LEFT 1X</p>
<p>D</p>  <p>RIGHT 1X</p>	<p>E</p>  <p>15X</p>	<p>F</p>  <p>M6*35 8X</p>
<p>G</p>  <p>M6*45 5X</p>	<p>H</p>  <p>M6*20 2X</p>	<p>I</p>  <p>1X</p>
<p>J</p>  <p>1X</p>		

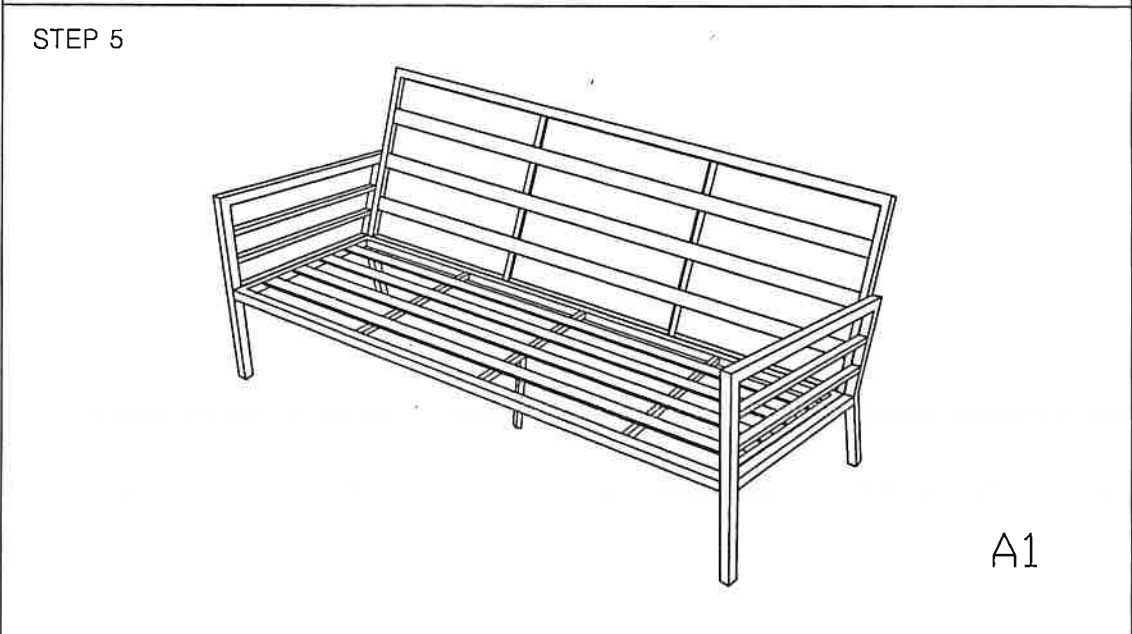
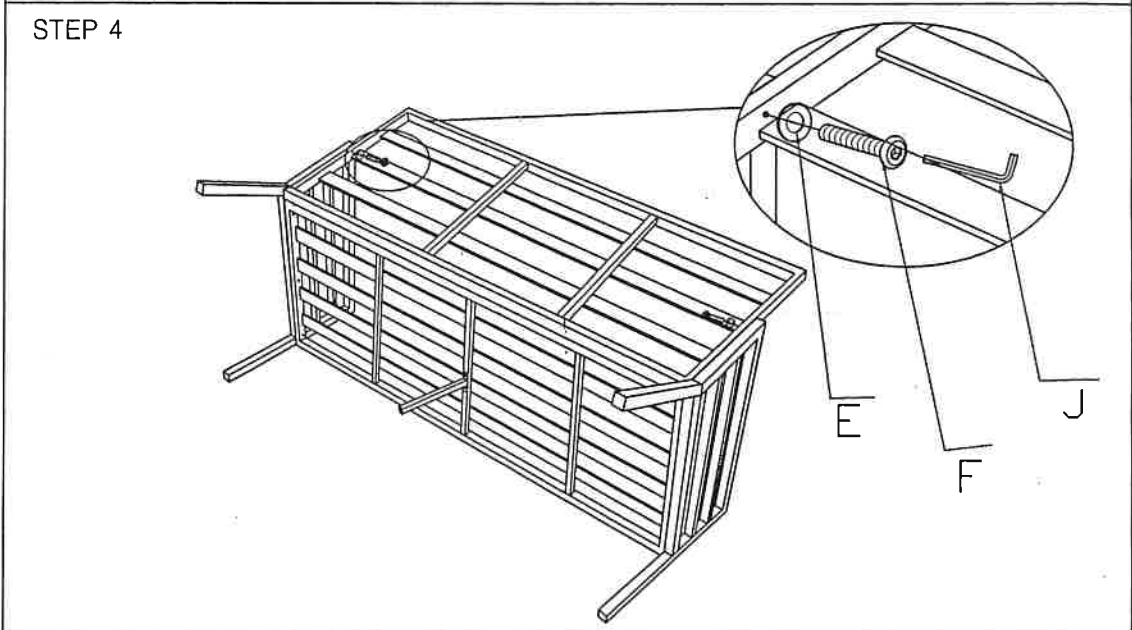
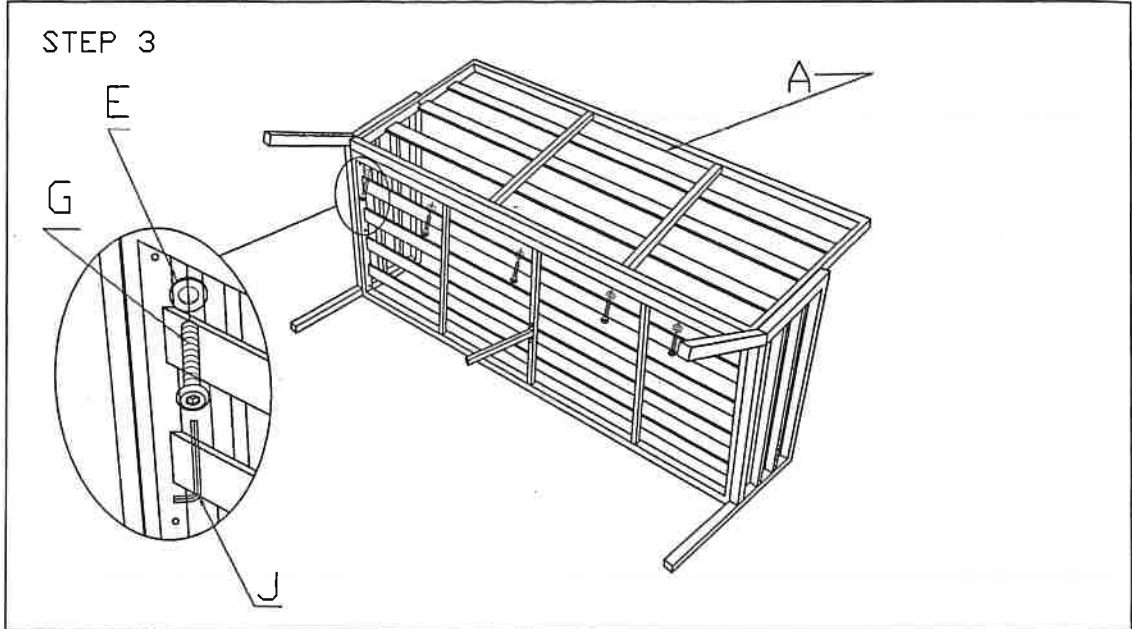
STEP 1



STEP 2

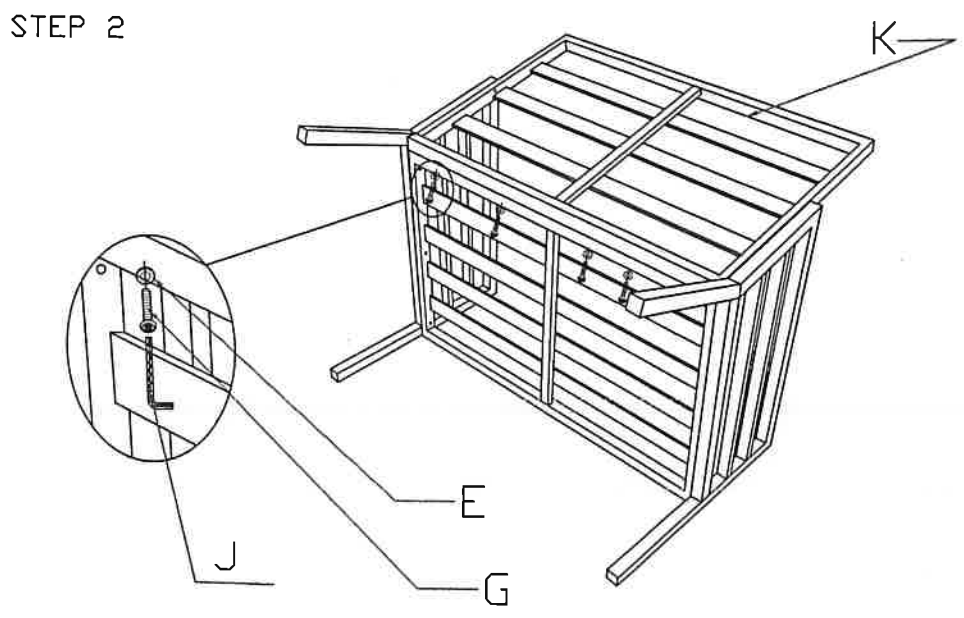
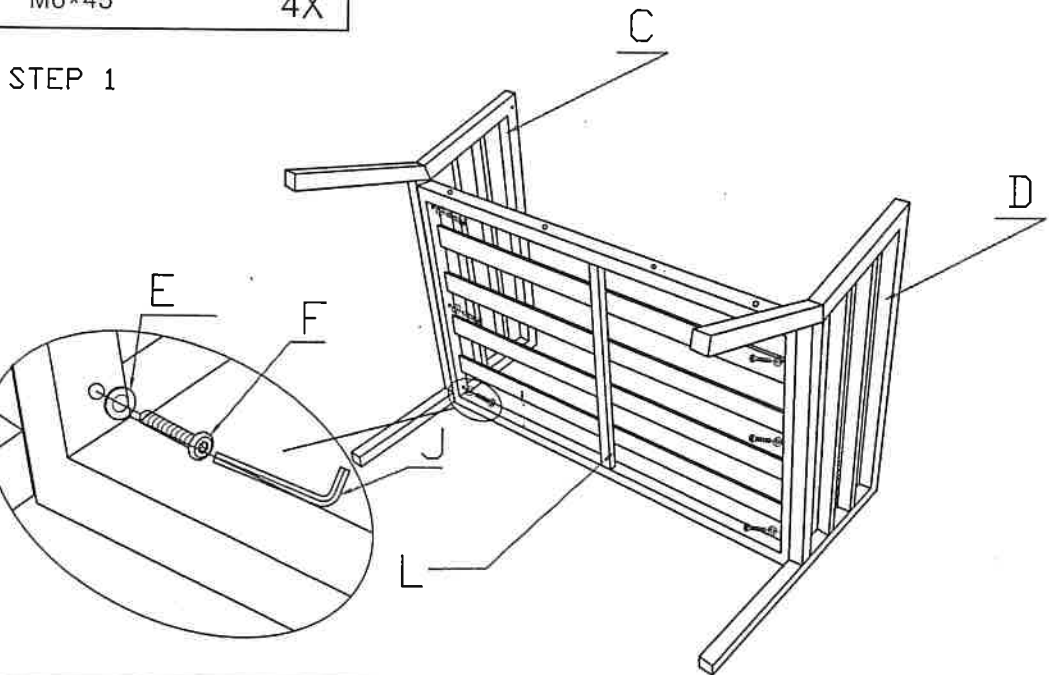
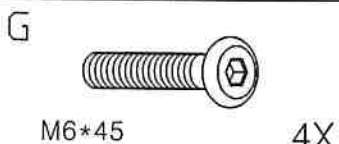
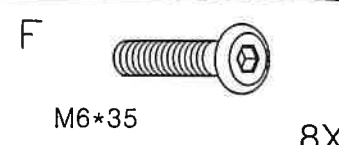
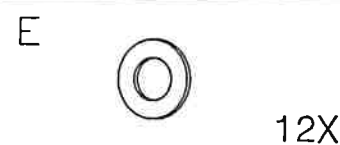
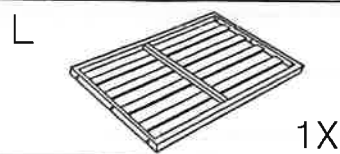


Do not tighten screws until fully assembled



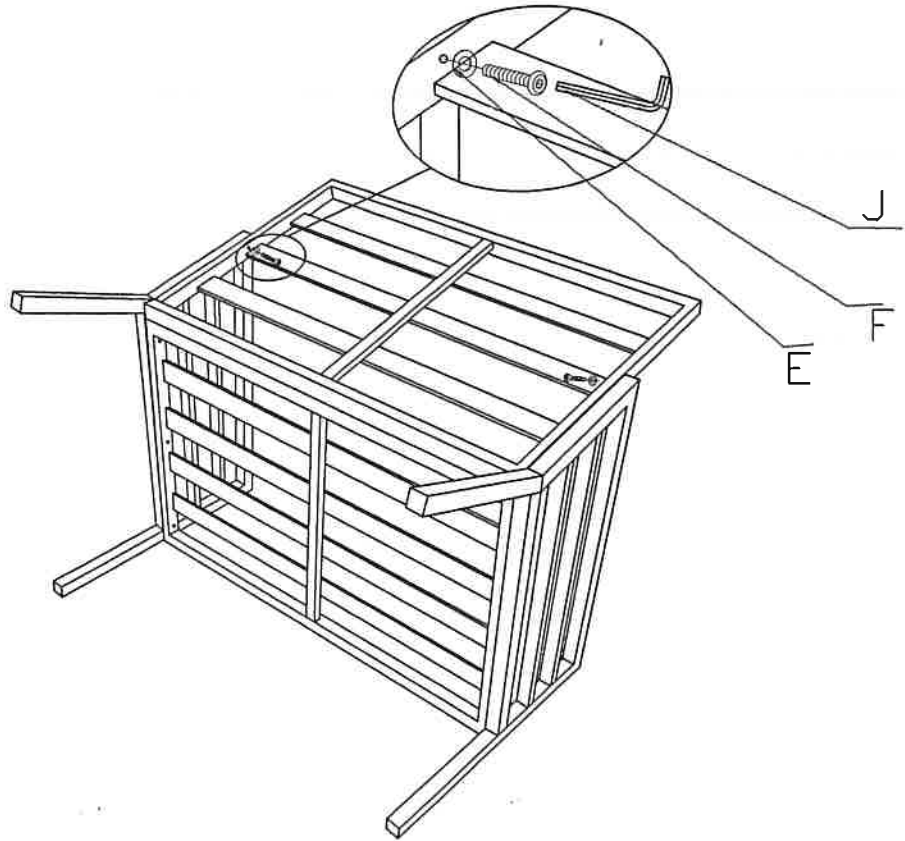
Do not tighten screws until fully assembled

# 2SEATER SOFA

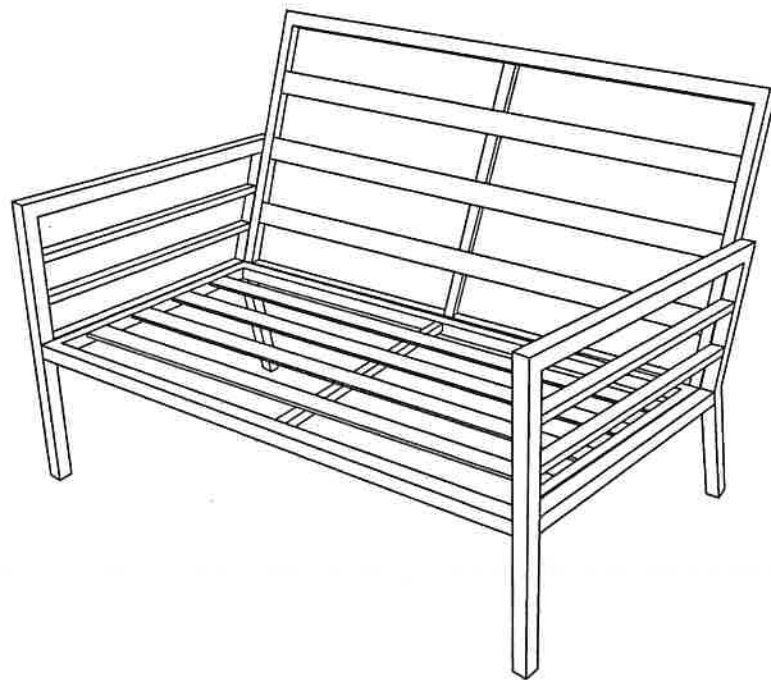


Do not tighten screws until fully assembled

STEP 3



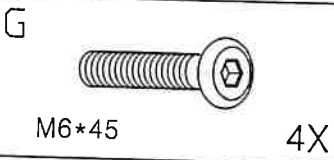
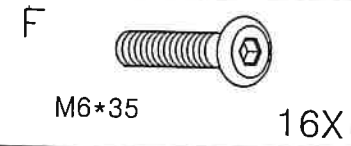
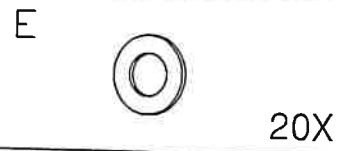
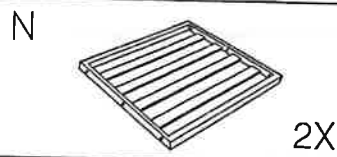
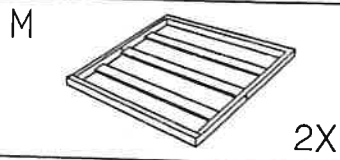
STEP 4



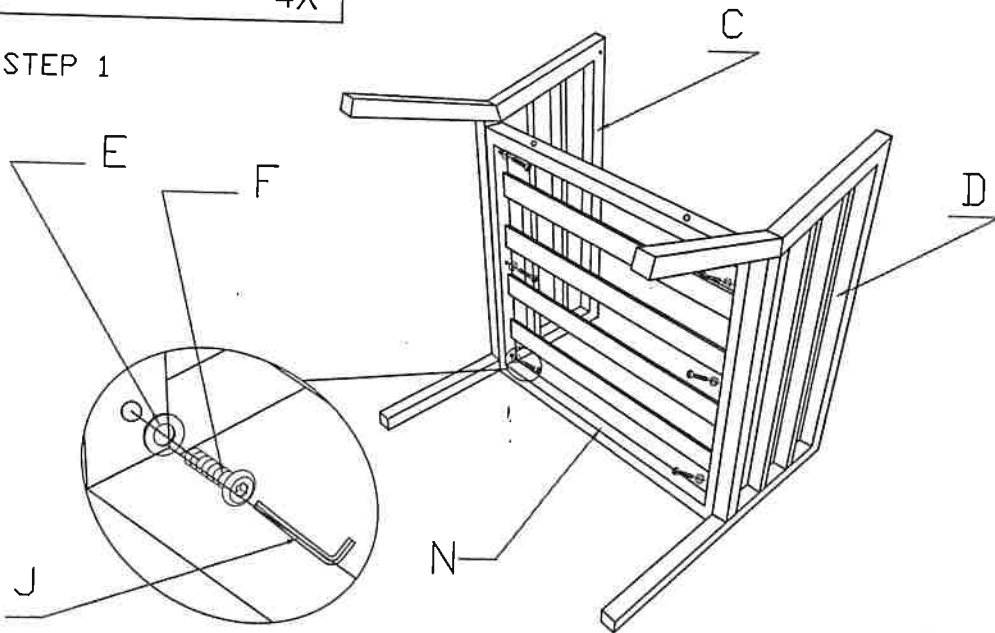
B1

Do not tighten screws until fully assembled

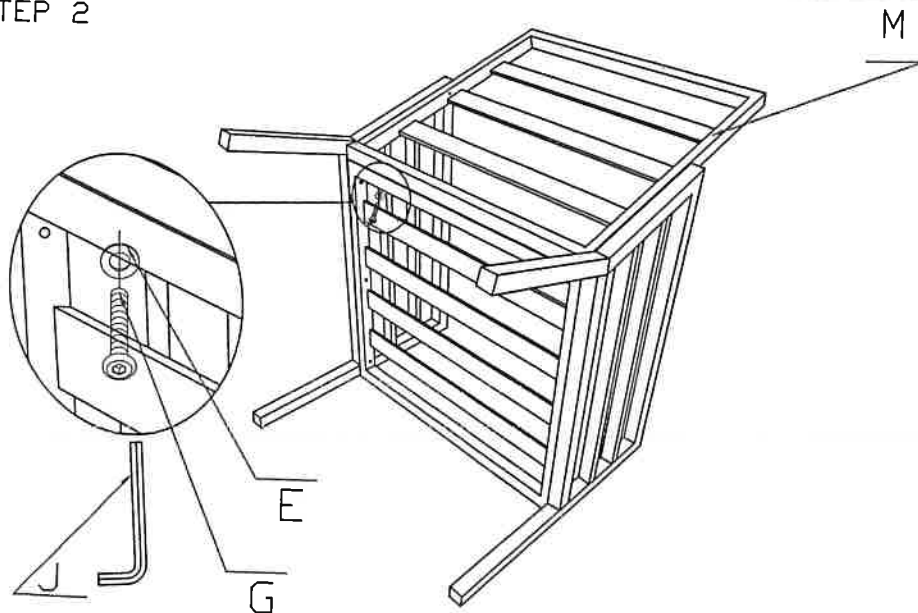
# CHAIR



STEP 1

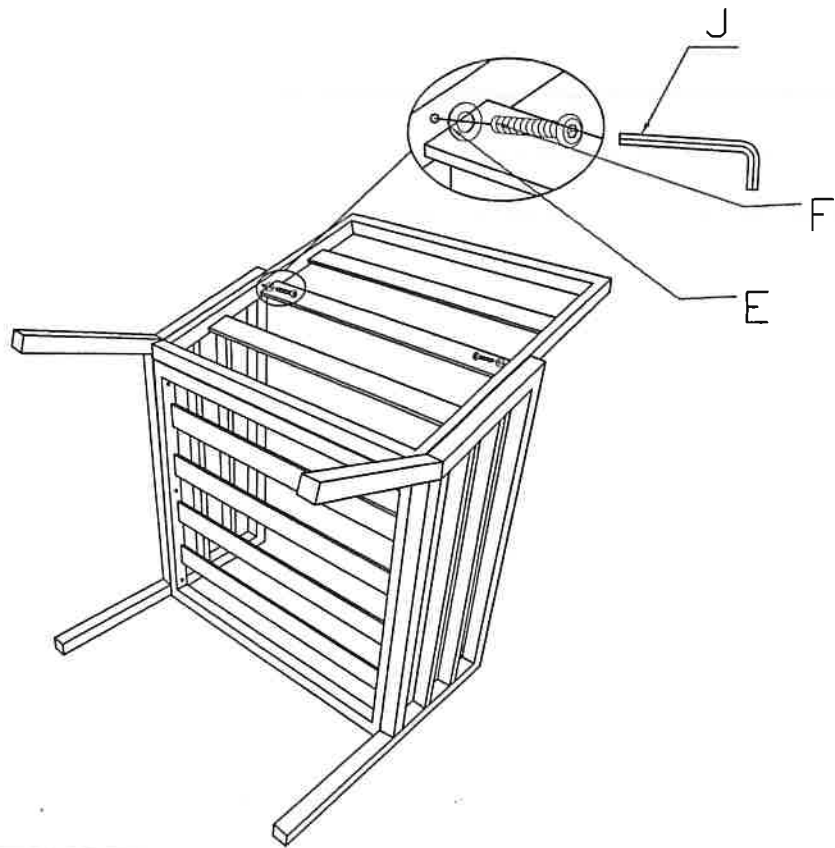


STEP 2

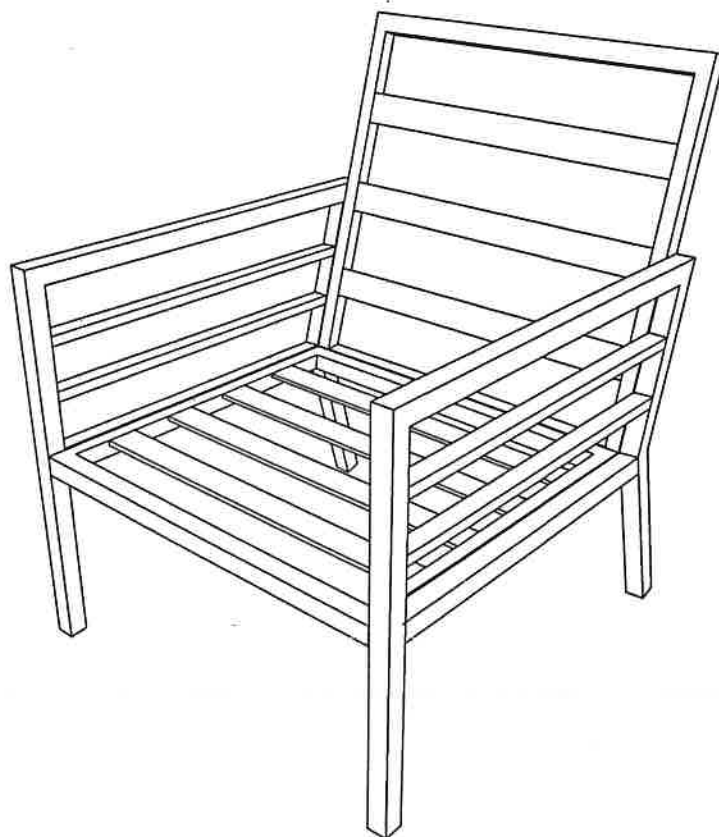


Do not tighten screws until fully assembled

STEP 3



STEP 4






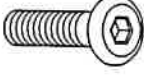
C1

Do not tighten screws until fully assembled

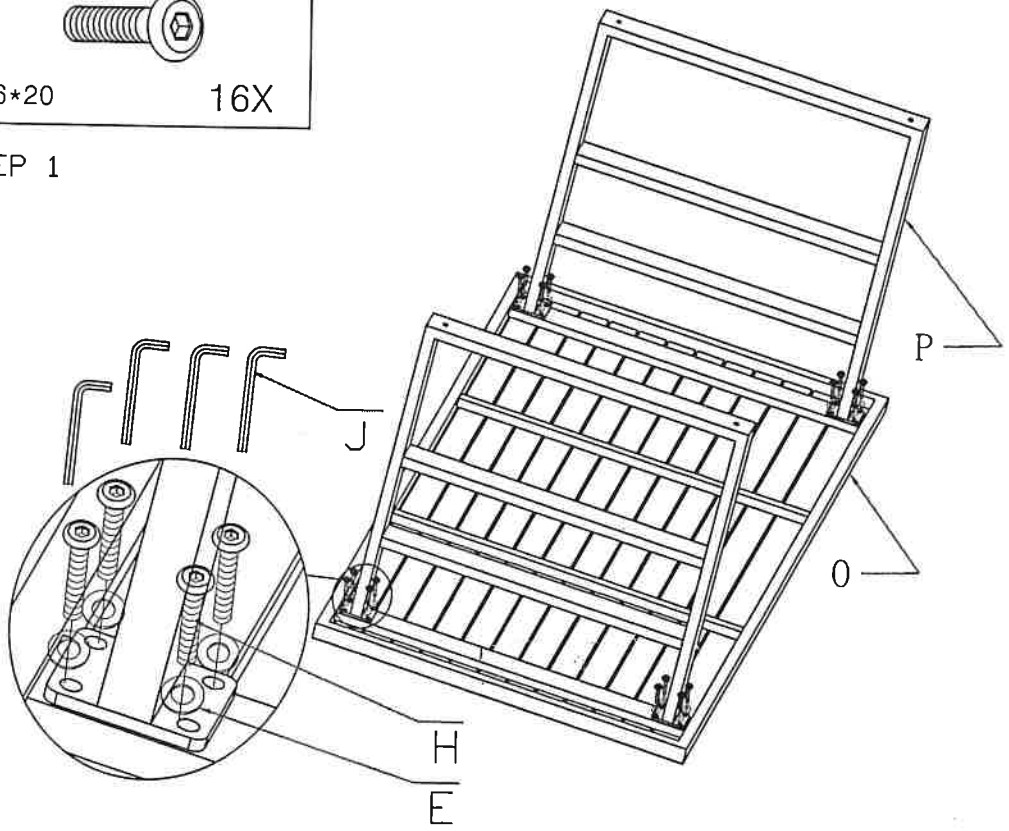


# TABLE

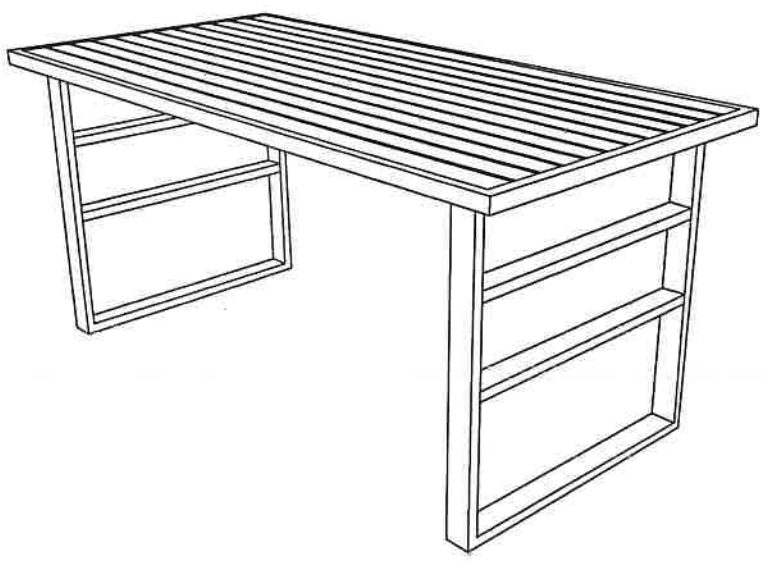
O  1X	P  2X	E  16X
--	--	---

H  M6*20 16X
---

STEP 1



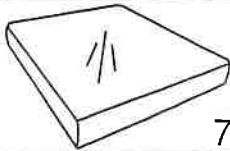
STEP 2



D1

Do not tighten screws until fully assembled

A2



7X

B2



7X

C2



4X

